



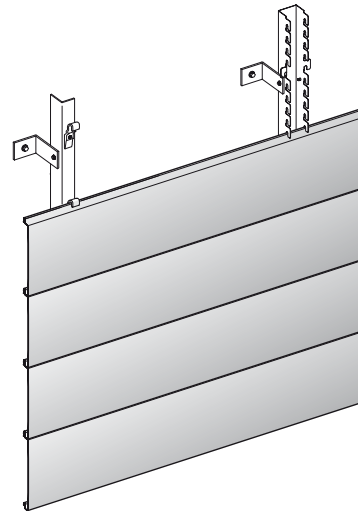
Project : Multipurpose Business Centre  
Location : Morales del Vino, Zamora, Spain  
Product : HunterDouglas® Façades: type 200F, 84R, QuadroClad and Aerofoils  
Special : 200F Perforated, 7080 (all products)  
Architect : Delapuerta & Asensio

**HunterDouglas**

FAÇADES

# PRODUCT INFORMATION:

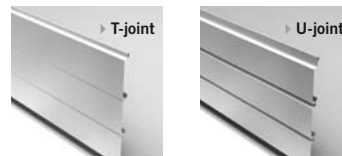
## HunterDouglas Façades: type MPF + Single Skin



### SYSTEM OVERVIEW MULTIPLE PANEL FAÇADE

- Façade and exterior ceiling application
- Horizontal and vertical panel orientation
- Curved and shaped panels
- Outstanding corrosion, scratch and UV resistant Luxacote® finish
- Roll formed tongue-in-groove system
- Unique and secure mounting system
- Integrated support structure
- Different joint solutions

### MOUNTING TYPES MULTIPLE PANEL FAÇADE



### Multipurpose Business Centre

Theme: a modern clean appearance

The 200F perforated panel system which allows controlled amount of sunlight coming into the interior of the building and at the same time protected from external view inwards.

The 200F cladding system with plain panels in vertical position over massive walls in a silver colour in combination with the matching colour framing in the perimeter with the QuadroClad offers a unique uniform clean appearance.

In the west side elevation of the one building, the Aerofoil 200AF with fixed fin position in matching anodized natural finish was installed as a sun protection system where offices are located. The combination of various Hunter Douglas products on all the façades enhances the overall appearance of this complex. An elegant box type building with sharp corners and a modern metallic look as the architect's concept and desired was achieved with success.

