

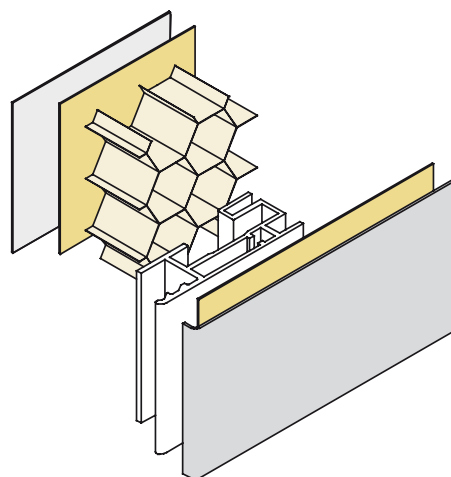


Project : Mahler 4 Building  
Location : Amsterdam, The Netherlands  
Product : HunterDouglas® Façades: type QuadroClad  
Quantity : 8.200 m<sup>2</sup>  
Special : Material, anodized satin clear  
Architect : Toyo Ito and associates

**HunterDouglas**

FAÇADES





### SYSTEM OVERVIEW QUADROCLAD

#### QUADROCLAD 25

- 25 mm thick aluminium panel system
- Capability to withstand very high wind loads
- Suitable for high-rise buildings
- Dimensions up to 1500 mm x 6000 mm
- Extremely flat panel surface
- Aluminium honeycomb composite technology
- Finishes: coil coated- and anodised aluminium and stainless steel
- Integrated support structure
- Individual panel installation
- Simple detailing
- Design freedom in panel shape and joints
- Can be used as exterior ceiling
- Integrated window and door system
- Designed to fit Sun Control systems
- Superior quality and durability
- Virtually maintenance free
- Certified wind load performance

