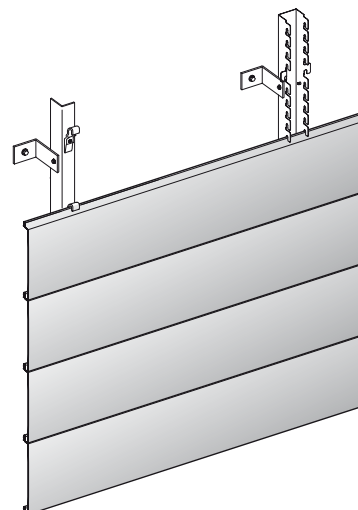




Project : Airport Prague
Location : Prague, Czechia
Product : HunterDouglas® Façades: type Multi Panel Façade 300U
Quantity : 2.500 m²
Special : Copper look
Architect : Nikodém and Partner, STOPRO architects

HunterDouglas

FAÇADES



SYSTEM OVERVIEW MULTI PANEL FAÇADE

- Façade and exterior ceiling application
- Horizontal and vertical panel orientation
- Curved and shaped panels
- Outstanding corrosion, scratch and UV resistant Luxacote® finish
- Roll formed tongue-in-groove system
- Unique and secure mounting system
- Integrated support structure
- Different joint solutions

200T/U - 600T/U MULTI PANEL FAÇADE

- 200 to 600 mm wide in increments of 50 mm
- Material thickness 0.95 to 1.4 mm
- Variable module dimensions
- Cassette design with closed ends
- Closed flush T-joint
- Closed recessed U-joint, 25 mm wide
- Developed for medium to high wind loads

MOUNTING TYPES MULTI PANEL FAÇADE

