



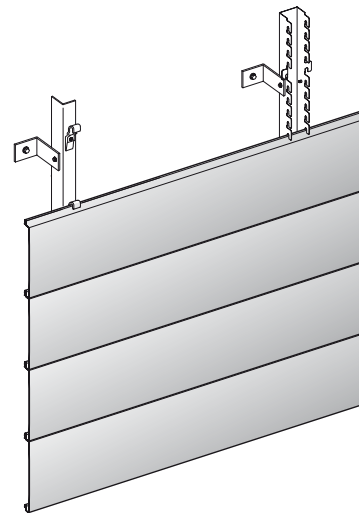
Project : Winmarkt Buzau and Winmarkt Rm Valcea
Location : Buzau + Valcea, Romania
Product : HunterDouglas® Façades: type 70S, 84R, 200F and
Multi Panel Façade 300T
Quantity : 1.400 m² and 1.300 m²
Architect : Ovidiu Nicolaie

HunterDouglas

FAÇADES

PRODUCT INFORMATION:

HunterDouglas Façades: type MPF + Single Skin



SYSTEM OVERVIEW MULTIPLE PANEL FAÇADE

- Façade and exterior ceiling application
- Horizontal and vertical panel orientation
- Curved and shaped panels
- Outstanding corrosion, scratch and UV resistant Luxacote® finish
- Roll formed tongue-in-groove system
- Unique and secure mounting system
- Integrated support structure
- Different joint solutions

200T/U - 600T/U MULTIPLE PANEL FAÇADE

- 200 to 600 mm wide in increments of 50 mm
- Material thickness 0.95 to 1.4 mm
- Variable module dimensions
- Cassette design with closed ends
- Closed flush T-joint
- Closed recessed U-joint, 25 mm wide
- Developed for medium to high wind loads

MOUNTING TYPES MULTIPLE PANEL FAÇADE



MOUNTING TYPES SINGLE SKIN

