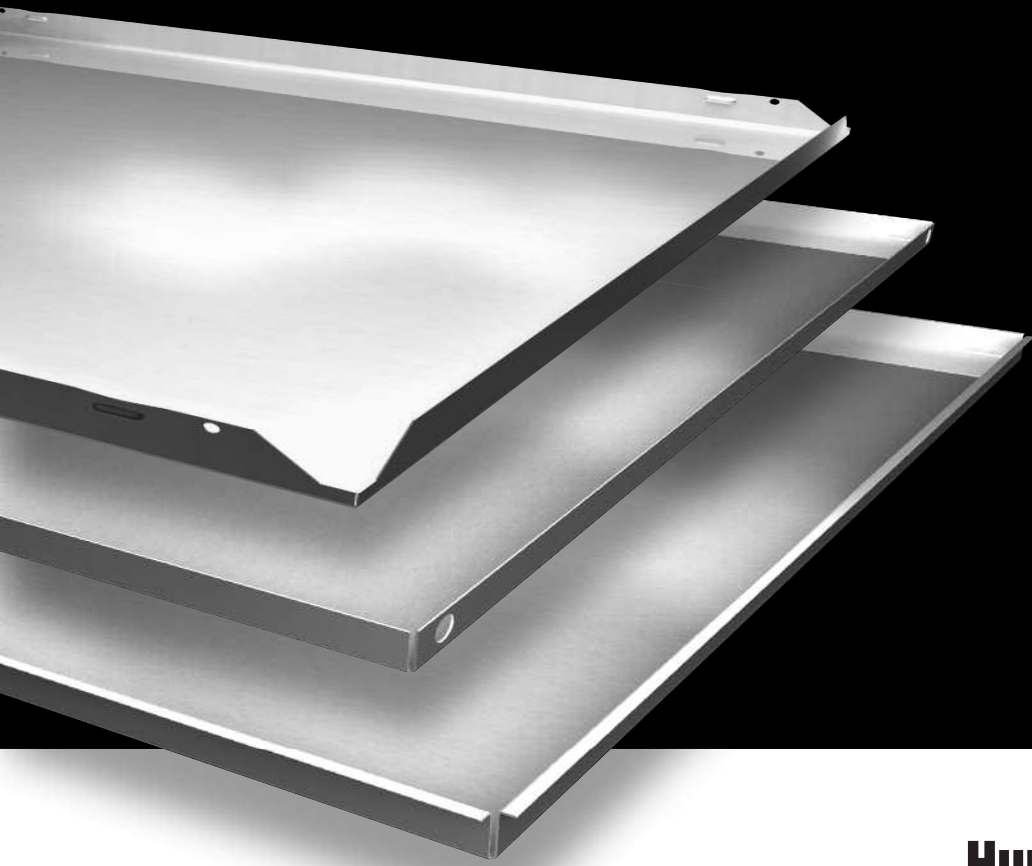


LUXALON®

Tiles

Hunter Douglas Luxalon® Tile Ceilings providing interesting combination of style and functionality with easy access to the plenum. These systems are available in a variety of installation concepts for a strong and flexible timeless ceiling.



HunterDouglas

CEILINGS

Tiles

A unique sense of tile



DESIGN FLEXIBILITY

Luxalon® Tile Ceiling systems from Hunter Douglas offer the combination of style and functionality for which we are known. These systems are available in different installation concepts.

Lay-On and Lay-In Tiles provide easy access and are ideal for situations where regular maintenance or service is required on installations in the plenum. Clip-In Tiles are available in a wide variety of pre-defined square and rectangular module sizes that are common used in ceiling design. For frequent accessibility, swing down Clip-In Tiles can be included in the ceiling design.

LONG LASTING, LOW MAINTENANCE

Luxalon® Tile Ceiling systems are manufactured from durable aluminium or steel. Finished with a powder coating or produced from durable coil coated material, these ceilings will last longer and require less maintenance.

EASY PLENUM ACCESS

Luxalon® Tiles from Hunter Douglas allow full plenum access and can be easily demounted by hand.

PERFECTLY PERFORATED ACOUSTICS

Perforated tiles improve acoustical performance as well as creating aesthetic effects. Luxalon® perforated Tiles come with a special sound-absorbing non-woven tissue glued into the panel, further enhancing acoustical performance.



No matter your style, our ceilings have the looks you love. Whatever your project's needs, our Tile Ceilings give you the freedom to think inside or outside the box.

| CONTENT | | Page |
|----------------------------|-----------------------|--------------|
| Lay-In & Lay-On | | 2 |
| Clip-In 4.2 mm | | 3 |
| Acoustics | | 4 |
| Material | Specifications | 5 |
| Impressions | | 6 - 7 |

PROVEN FIRE PROTECTION

All Luxalon® Tile Ceiling systems have earned a high reaction to fire classification according to EN 13501-1, in official fire tests at Invensys, Rijswijk - an independent Dutch fire research institute. For more information visit www.hunterdouglascontract.com

Innovative Products Make Innovative Projects



HunterDouglas

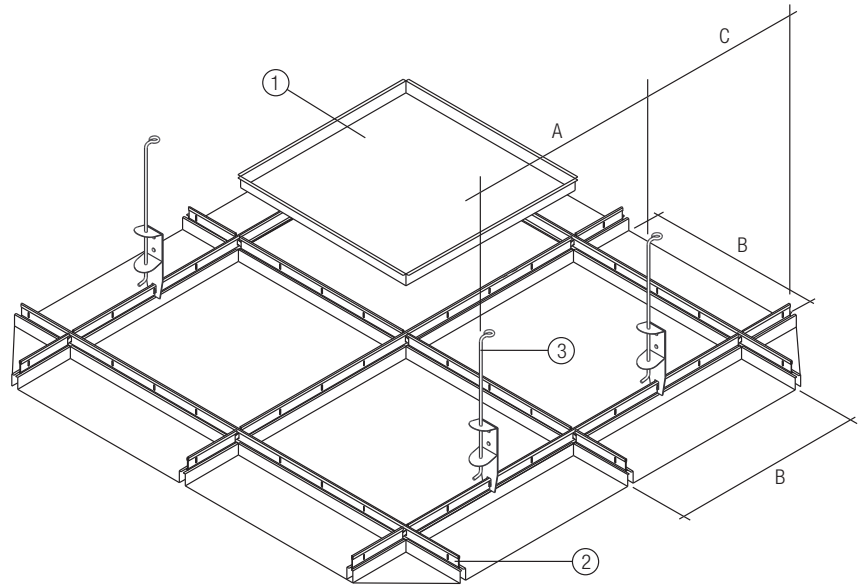
Lay-In & Lay-On

TILES

Luxalon® Lay-In & Lay-On Tiles are designed to be installed in conventional T-Grid systems with T-Bar sizes of 15 mm or 24 mm. By pushing the tile up-wards, all types provide easy access to the plenum without the use of special tools.

The exposed T-Grid of Luxalon® Lay-In & Lay-On Tiles enhances the modular design pattern. A more distinctive emphasis can be provided by the use of wide T-grids and 16 mm deep reveals, or less prominent by using 15 mm T-grids and an 8 mm reveal. Luxalon® Lay-In and Lay-On Tiles provide easy access by lifting and tilting the ceiling tiles. They are ideal for situations where regular maintenance or service is required to ducts, pipes, airco-systems, or computer-or telephone networks. Before selecting this system, care should be taken to ensure that there is enough space in the plenum to lift the tiles upward.

Because the Luxalon® Lay-In and Lay-On system offers easy access and adaptability, lighting and services can be conveniently repositioned. This is particularly useful for supermarkets, laboratories, computer suites and offices

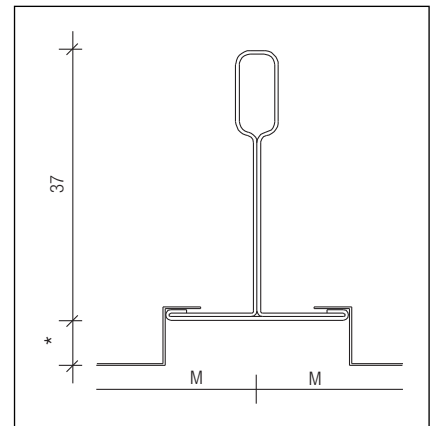


- 1 = Lay-In tile
- 2 = T-grid (non HD)
- 3 = Hangers (non HD)

- A = 1200 mm (max.)
- B = Module
- C = 250 mm (max.)

CONSTRUCTION DETAILS

* Depth of reveal



DIMENSIONS

Lay-In Tiles 15/8; 15 mm Grid 8 mm Reveal



| Module in mm | Gauge | |
|--------------|---------|-------------|
| | Steel | Alu |
| 500 x 500 | 0.5-0.6 | 0.5-0.6-0.7 |
| 600 x 600 | 0.5-0.6 | 0.5-0.6-0.7 |
| 625 x 625 | 0.5-0.6 | 0.5-0.6-0.7 |
| 675 x 675 | 0.5-0.6 | 0.5-0.6-0.7 |

Lay-In Tiles 24/8; 24 mm Grid 8 mm Reveal



| Module in mm | Gauge | |
|--------------|---------|-------------|
| | Steel | Alu |
| 500 x 500 | 0.5-0.6 | 0.5-0.6-0.7 |
| 600 x 600 | 0.5-0.6 | 0.5-0.6-0.7 |

Lay-On Tiles 15/24; 15 mm or 24 mm Grid



| Module in mm | Gauge | |
|--------------|---------|-------------|
| | Steel | Alu |
| 600 x 600 | 0.5-0.6 | 0.5-0.6-0.7 |

Lay-In Tiles 24/0; 24 mm Grid 0 mm Reveal



| Module in mm | Gauge | |
|--------------|---------|-------------|
| | Steel | Alu |
| 600 x 600 | 0.5-0.6 | 0.5-0.6-0.7 |

Lay-In Tiles 24/16; 24 mm Grid 16 mm Reveal



| Module in mm | Gauge | |
|--------------|---------|-------------|
| | Steel | Alu |
| 500 x 500 | 0.5-0.6 | 0.5-0.6-0.7 |
| 600 x 600 | 0.5-0.6 | 0.5-0.6-0.7 |

MATERIAL REQUIREMENT PER M²

| Components | Unit | 600 x 600 | 625 x 625 |
|--------------|----------------|-----------|-----------|
| Tiles | pcs | 2.78 | 2.56 |
| Grid Profile | m ¹ | 3.34 | 3.2 |
| Suspension | pcs | 0.69 | 0.64 |

Clip-In 4.2 mm

TILES

The Luxalon® Clip-In Tile system has a bevelled edge to form visually closed joints.

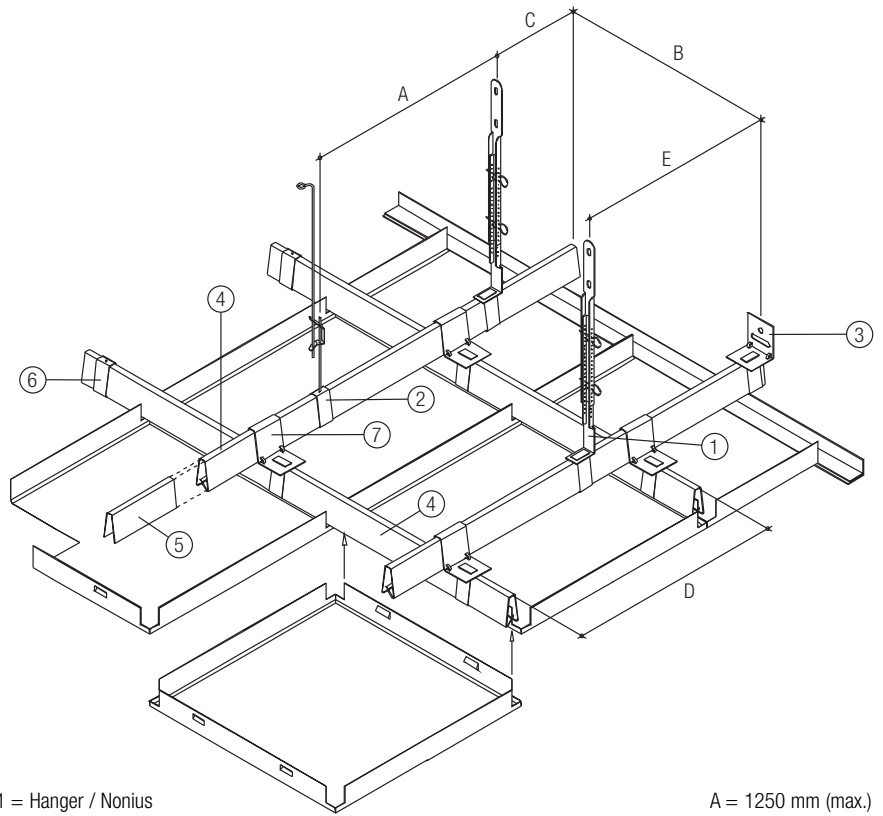
The 4.2 mm bevel will emphasise the crispness of the tile ceiling design with fine jointlines.

Luxalon® Clip-In Tiles are available in a wide variety of pre-defined rectangular module sizes that are commonly used in ceiling design.

Dimples in the longitudinal tile-edges, enable each tile to be clipped into the concealed Luxalon® Grid system. There is one universal Clip-In profile available for both the primary and secondary support structure.

Perimeter tiles are cut into an edge cover profile. Closed joint details make the Luxalon® Clip-In Tile systems ideal for areas related to hygiene.

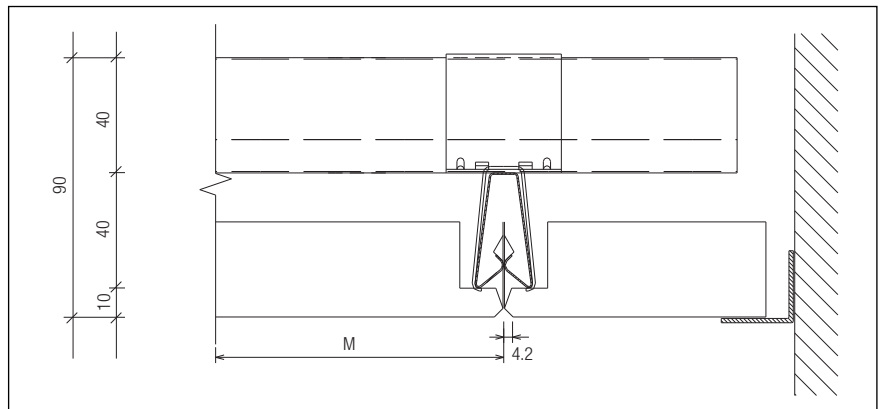
Individual tiles can easily be released from the grid-profiles with a simple tool that is inserted between adjacent tiles on both edges, combined with downward pulling.



- 1 = Hanger / Nonius
- 2 = Hanger / Rod
- 3 = Wall Clamp
- 4 = Primary/secondary Clip-In Profile
- 5 = Clip-In Profile Splice
- 6 = End Clamp
- 7 = Cross Connector

- A = 1250 mm (max.)
- B = 1200 mm (max.)
- C = 250 mm (max.)
- D = Tile size (max.)
- E = 1250 mm (max.)

CONSTRUCTION DETAILS



DIMENSIONS

Clip-In 4.2 mm Bevel 'Tile-Options'

| Module in mm | Gauge | |
|--------------|---------|-------------|
| | Steel | Alu |
| 300 x 300 | 0.5-0.6 | 0.5-0.6-0.7 |
| 300 x 600 | 0.5-0.6 | 0.5-0.6-0.7 |
| 300 x 1200 | 0.5-0.6 | 0.5-0.6-0.7 |
| 600 x 600 | 0.5-0.6 | 0.5-0.6-0.7 |
| 600 x 1200 | 0.5-0.6 | 0.5-0.6-0.7 |

Clip-In 4.2 mm Bevel 'Swing Down'

| Module in mm | Gauge | |
|--------------|---------|-------------|
| | Steel | Alu |
| 600 x 600 | 0.5-0.6 | 0.5-0.6-0.7 |

MATERIAL REQUIREMENT PER M²

| Components | Unit | 600 x 600 | 600 x 1200 |
|----------------|------|-----------|------------|
| Tiles | pcs | 2.78 | 1.39 |
| Clip-In Rail | m' | 2.50 | 1.67 |
| Rail Connector | pcs | 1.39 | 0.69 |
| Rail Splice | pcs | 0.50 | 0.33 |
| Suspension | pcs | 0.67 | 0.64 |

Acoustics

ACOUSTIC PERFORMANCE

On order to improve interior sound control, the Luxalon® Tile program can be delivered in two standard perforation patterns with an open area of 16% or 22%. These patterns are framed with a solid border of 10 mm in order to assure maximum flatness and product stability. As a standard feature, perforated tiles are supplied with a sound absorbing non-woven tissue glued into the tile for enhanced acoustical performance.

SOUND ABSORPTION

- Curve 1

Type D1522

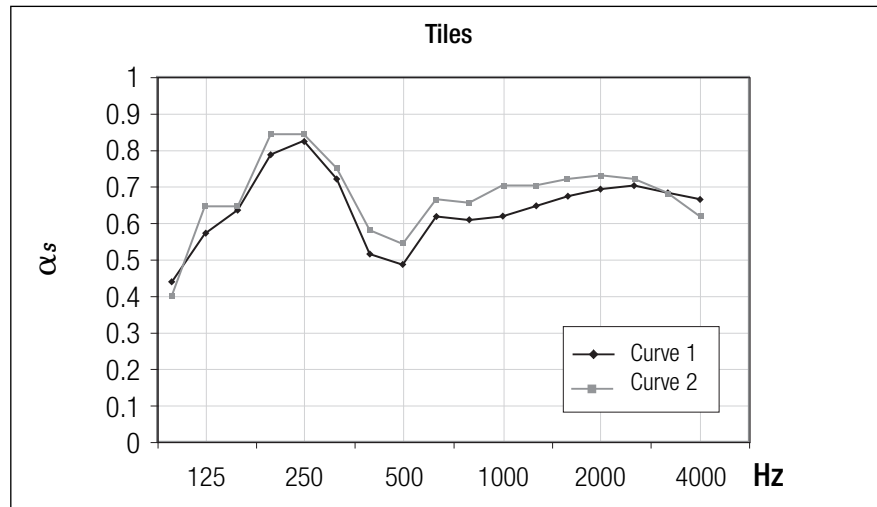
1.5 mm Ø perforated tiles with acoustic non woven, plenum depth 400 mm, open area 22%

- Curve 2

Type R2516

2.5 mm Ø perforated tiles with acoustic non woven, plenum depth 400 mm, open area 16%

ACOUSTIC PERFORMANCE



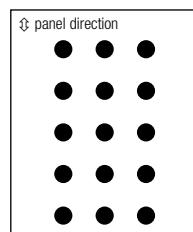
| Freq. Hz. | 125 | 250 | 500 | 1000 | 2000 | 4000 | αw | NRC |
|-----------|------|------|------|------|------|------|------|------|
| Curve 1 | 0.56 | 0.80 | 0.55 | 0.64 | 0.71 | 0.70 | 0.65 | 0.65 |
| Curve 2 | 0.57 | 0.84 | 0.61 | 0.70 | 0.74 | 0.67 | 0.70 | 0.70 |

Tested by Peutz, test report no. A1818

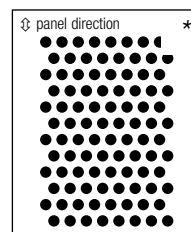
PERFORATION PATTERNS

* D1522: Not available in 0.5 mm aluminium.

Note: Perforated products have a nominal plain border of 10 mm.

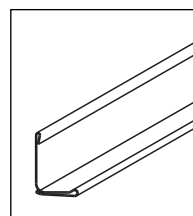


R2516: Ø 2.5 mm
 ⇄ 5.5 ⇄ 5.5
 Openness 16%

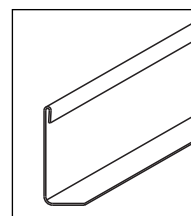


D1522: Ø 1.5 mm
 ⇄ 2.15 ⇄ 4.3
 Openness 22%

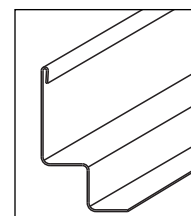
EDGE PROFILES



Wall L-profile
 Alu 0.5 mm
 (29.2 x 19.4)



Wall L-profile
 Fe/Alu 0.8 mm
 (45 x 18.5)



Wall W-profile
 Fe/Alu 0.8 mm
 (45 x 21 x 21 x 18.5)

Material specifications

- FIRE BEHAVIOUR

Luxalon® Metal Suspended Ceilings are classified incombustible and will therefore not contribute to possible fires. When ceilings however need to protect the structural integrity of the building, Luxalon® Ceilings offer a range of practical and tested solutions with regards to fire resistance and fire stability. Further information is available on request.

- BASE MATERIAL

Luxalon® Lay-on, Lay-in and Clip-In Tiles are available in aluminium or steel with high industrial standards (DIN 1541/BS 1449, part 1:1983/TAIM standards).

- POWDER COATING

The tough and durable polyester powdercoating finish in a minimal thickness of 60 microns, is electrostatically applied ensuring uniform coating thickness, absolute adhesion, maximum resistance to abrasion.

- COIL COATING

Because Luxalon® coatings are applied before perforation and bending process, exposed edges are not protected. Standard gloss rate is 15 - 20% at 60° angle of incidence.

- Colour range

The standard colour is white. Any other RAL or NCS colour is available on request.

- Standard Colour Range

RAL 9010 powder coated

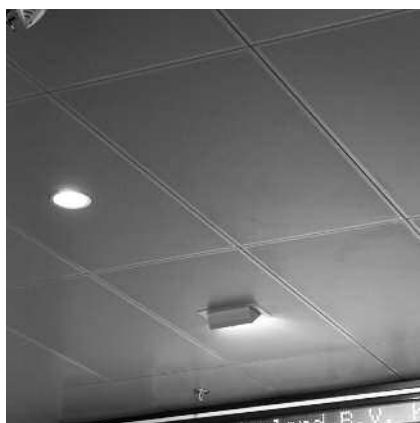
RAL 9003 coil coated



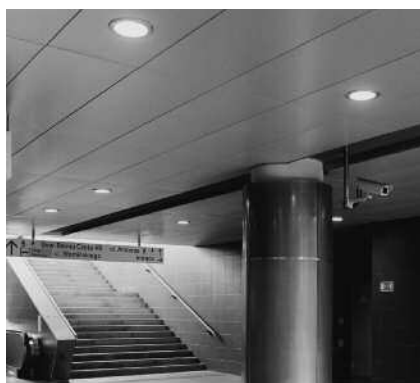
*Project : Toei Oedo Line Nakai station
Location : Japan
Product : Clip-in Tiles*

Impressions

*Project : SAP
Location : Den Bosch, The Netherlands
Product : Metal Tiles*



*Project : Gdanska underground station
Location : Warsaw, Poland
Product : Metal Tiles*

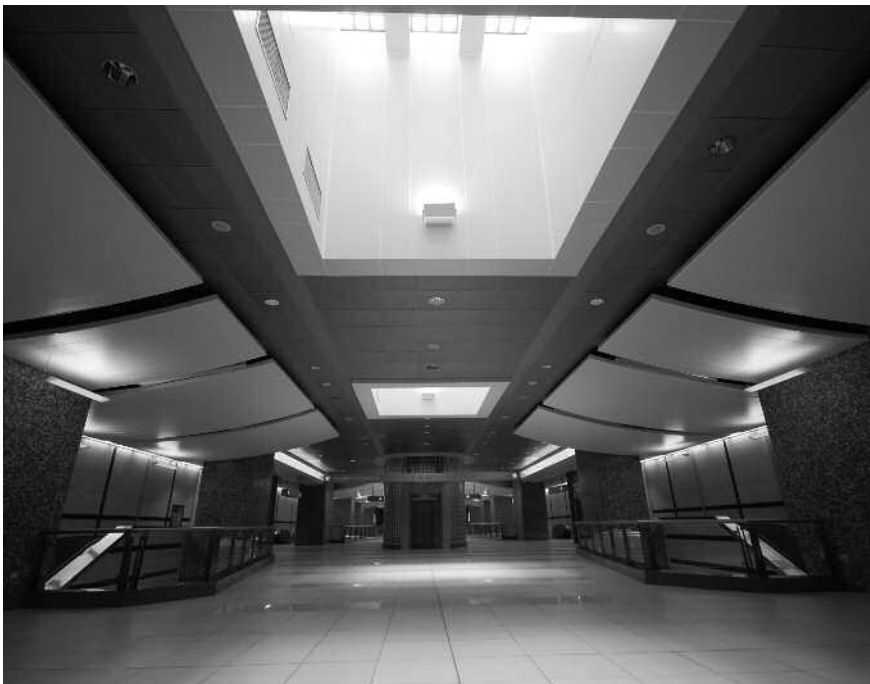


Impressions

*Project : Falagueira underground station
Location : Amadora, Portugal
Product : Metal Tiles*



*Project : Metro Valencia Estacion Cedeño
Location : Valencia, Venezuela
Product : Tiles Lay-In, Planks Hook-On*



HUNTER DOUGLAS ARCHITECTURAL PRODUCTS

In the last 80 years, we've been fortunate enough to help turn countless innovative sketches into innovative buildings.



Architects, designers, investors and contractors from around the world have taken advantage of Hunter Douglas' unmatched product development, service and support. Chances are, you've seen more of Hunter Douglas than you think.

With major operation centres in Europe, North America, Latin America, Asia and Australia, we've contributed to thousands of high-profile projects, from retail and commercial facilities to major transit centres and government buildings.

Not only are the world's architects and designers our partners, they're our inspiration. They continue to raise the bar for excellence. We create products that help bring their visions to life: Window Coverings, Ceilings, Sun Control Systems and Façades.



Promoting sustainable
forest management
www.pefc.org

© Registered trademark - a HunterDouglas® product Pats. & Pats. Pend. - Technical data subject to change without notice.
© Copyright Hunter Douglas 2008. No rights can be derived from copy, text pertaining to illustrations or samples. Subject to changes in materials, parts, compositions, designs, versions, colours etc., even without notice. **MX300T00**

ARCHITECTURAL SERVICES

We support our business partners with a wide range of technical consulting and support services for architects, developers and installers. We assist architects and developers with recommendations regarding materials, shapes and dimensions and colours and finishes. We also help creating design proposals, visualisations and mounting drawings. Our services to installers range from providing detailed installation drawings and instructions to training installers and advising on the building site.



LUXALON®

HunterDouglas

HUNTER DOUGLAS is a publicly traded company with activities in more than 100 countries with over 150 companies.

The origin of our company goes back to 1919, in Düsseldorf, Germany. Throughout our history, we have introduced innovations that have shaped the industry, from the invention of the continuous aluminium caster, to the creation of the first aluminium Venetian Blinds, to the development of the latest high-quality building products.

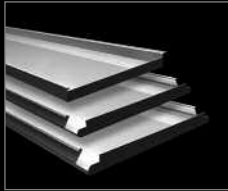
Today we employ more than 20,000 people in our companies with major operation centres in Europe, North America, Latin America, Asia and Australia.

**Innovative Products
Make Innovative Projects**

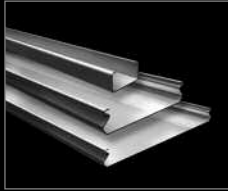
Learn More

- Contact our Sales office
- www.hunterdouglascontract.com

Wide Panel



Linear



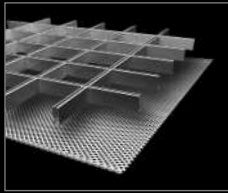
Screen



Tiles
XL panel



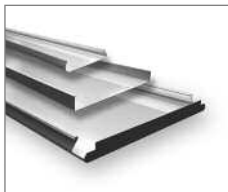
Cell
Stretch metal



Chilled
Curved



Exterior



- Austria
- Belgium
- Bulgaria
- Croatia / Slovenia
- Czechia
- Denmark
- France
- Germany
- Greece
- Hungary
- Ireland
- Italy
- Kazakhstan
- the Netherlands
- Norway
- Poland
- Portugal
- Romania
- Russia
- Serbia
- Slovakia
- Spain
- Sweden
- Switzerland
- Turkey
- Ukraine
- United Kingdom
- Africa
- Middle East

- Asia
- Australia
- Latin America
- North America

HUNTER DOUGLAS EUROPE B.V.

2, Piekstraat
 P.O. Box 5072 - 3008 AB Rotterdam
 Tel. +31 (0)10 - 4869911
 Fax +31 (0)10 - 4847910
www.hunterdouglascontract.com

HunterDouglas